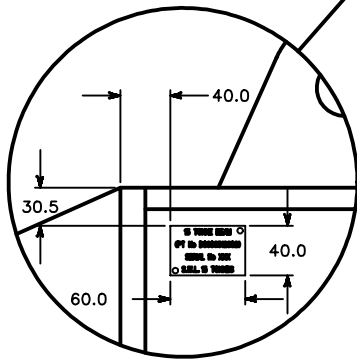
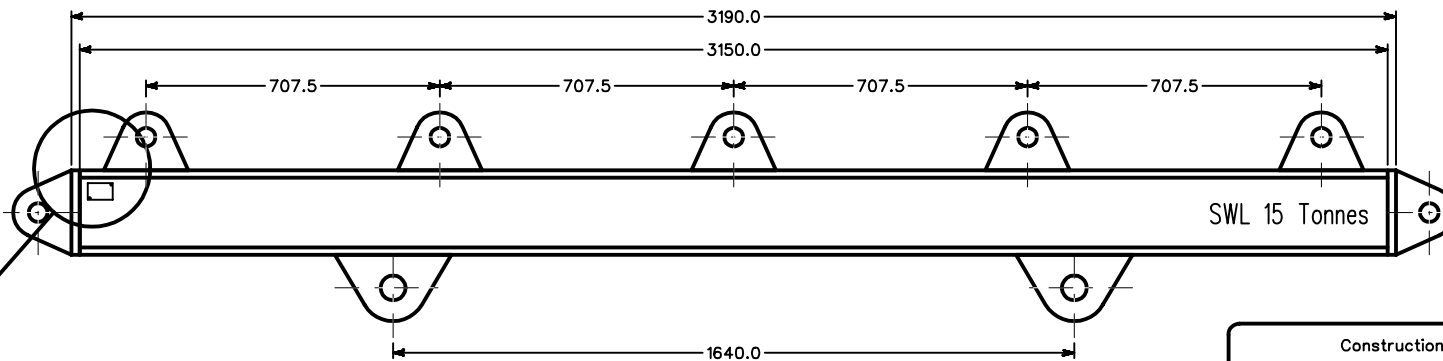
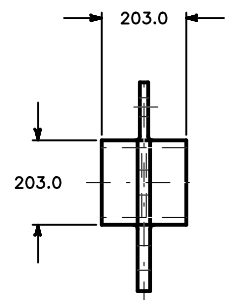
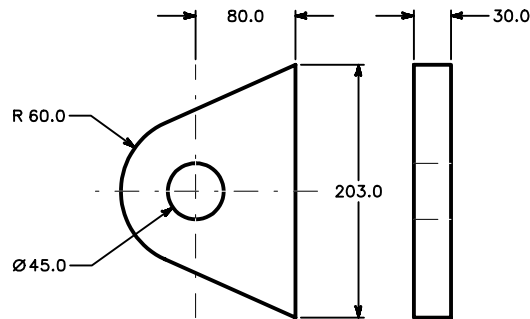


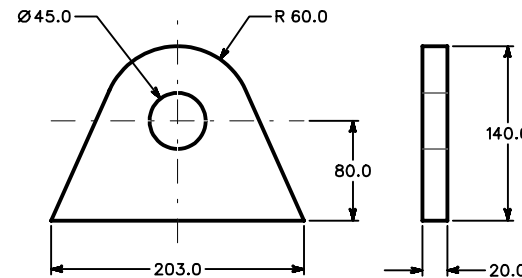
If In Doubt ASK !



ID Plate Detail

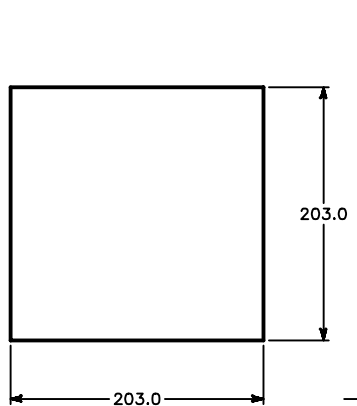


End Lug Detail

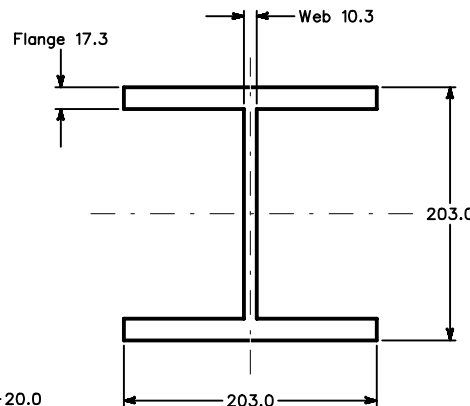


Top Lug Detail

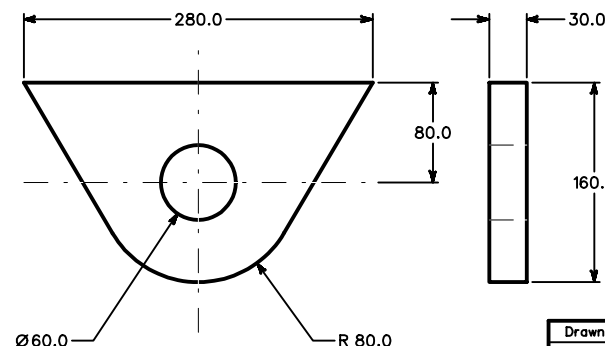
Construction Notes	
Material:- 203x203MMx71KgM Universal Column To BS EN10025 Grade FE430A Lugs And End Plate : Grade FE50B	
Tolerance:- ± 1 mm	
Surface Finish:- Galvanised	
All Edges To Be Deburred	
All Lugs And End Plates Welded All Round	
ID Plate Rivetted To Beam	
ID Plate Material:- Stainless Steel	
ID Text Dims - Height 4mm, Width 3mm	
SWL Text Stenciled And Spray Painted	
SWL Text Dims - Height 47mm, Width 32mm	



End Plate Detail



Beam Detail



Bottom Lug Detail

Dimensions in MM			File Name	
Tolerance			BEAM15T.DGN	
See Note			Material	
See Note			See Note	
<small>© SCHOLLE EUROPE LIMITED 1/a Crestbury and J.W. Automarine 1972-2003. This article and drawing is protected by copyright and is the property of Scholle Europe Limited. It may not be copied, published, or used for any purpose other than that for which it has been supplied, except with the written permission of Scholle Europe Limited.</small>			<small>SCHOLLE EUROPE LTD. 1/a</small> 	
			<small>Enterprise Way Fakenham, Norfolk, NR21 8SN, England Telephone: 013281862300 Fax: Fakenham 01328186222 Email: sales@jwautomarine.co.uk</small>	
Drawn	Sig	Revisions	Issue	Date
SBG		Drawn	1	1.5.01
		ID Plate Text	2	8.6.01
Scale				
1:7				
On A1				
Checked				
			Client	
			JW Automarine	
			Drawing No	CJW 99/493
			Issue No	2
			Sheet No	1 Of 1
			Date	8.6.01
Title				
15 Tonne Beam (Pt No. D0606512602)				