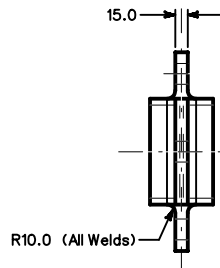
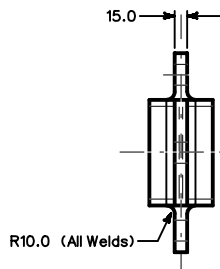


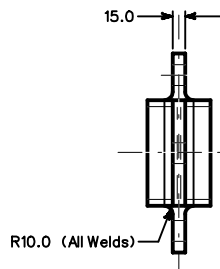
If In Doubt ASK !



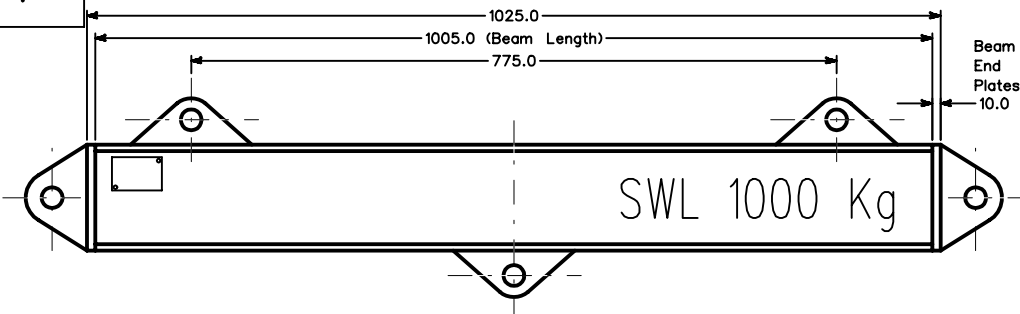
R10.0 (All Welds)



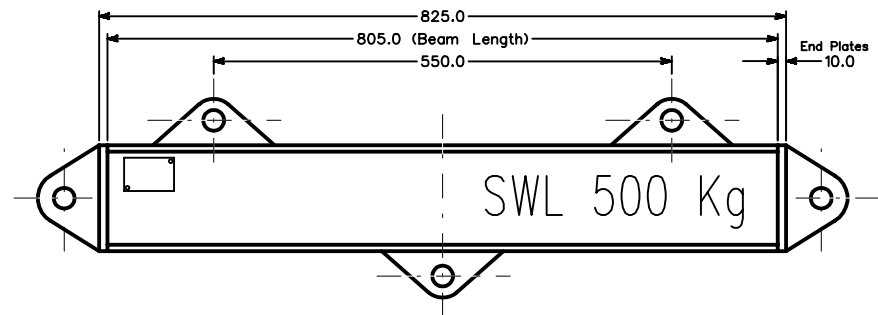
R10.0 (All Welds)



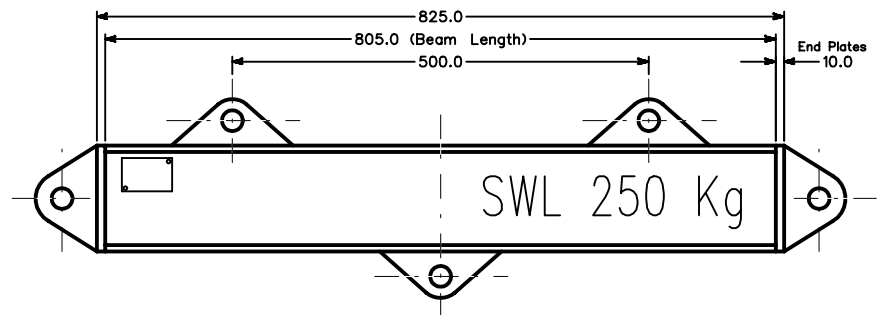
R10.0 (All Welds)



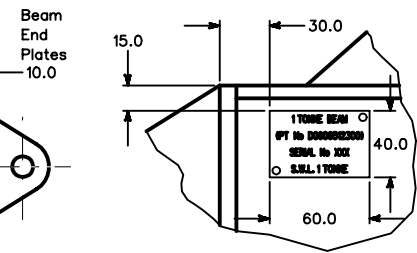
T1 Lifting Beam (1000 Kg) (Pt No. D0606512300)



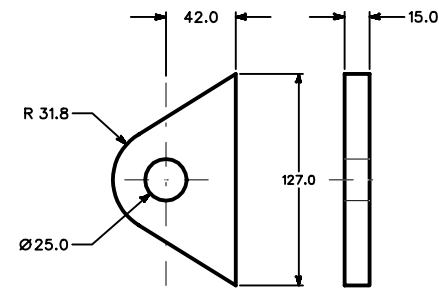
T10C Lifting Beam (500 Kg) (Pt No. D0606512700)



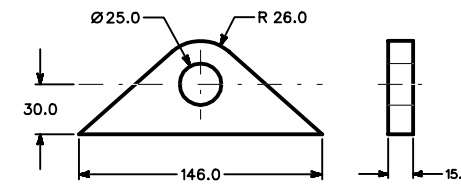
T5C Lifting Beam (250 Kg) (Pt No. D0606512610)



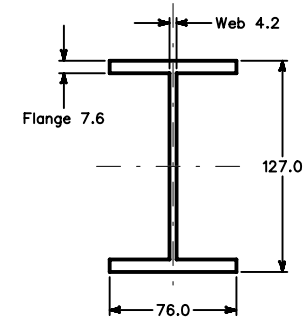
ID Plate Detail
(For All Beams)



End Detail



Lug Detail
(For Top And Bottom Lugs)



Beam Detail

Construction Notes	
Material :- 127x76MMx13KgM Universal Beam To BS EN10025:1993-5275 Grade FE430A	
Lugs And End Plate : Grade FE50B	
Tolerance:- ± 1 mm	
Surface Finish:- Galvanised	
All Edges To Be Deburred	
All Lugs And End Plates Welded All Round	
ID Plate Rivetted To Beam	
ID Plate Material:- Stainless Steel	
ID Text Dims:- Height 4mm, Width 3mm	
SWL Text Stenciled And Spray Painted	
SWL Text Dims:- Height 47mm, Width 32mm	

All Dimensions In mm UOS	File Name
All Edges To Be Deburred	BEAM1.DGN
Tolerance	Material
± 1mm	See Note
© SCHOLLE EUROPE LIMITED 1/3 Crestbury and J.W. Automarine 1972-2003. This article and drawing is protected by copyright and is the property of Scholle Europe Limited. It may not be copied, published, or used for any purpose other than that for which it has been supplied, except with the written permission of Scholle Europe Limited.	SCHOLLE EUROPE LTD. 76
	automarine

Drawn	Sig	Revisions	Issue	Date	Client
		Drawn	1	5.4.83	JW Automarine
		Updated	2	10.4.95	
Scale	A/JD	Re-Designed	3	11.9.98	
NTS	A/JD	Dimensions	4	21.9.98	
Checked	SBG	Material Note	5	22.3.00	Drawing No
	SBG	ID Plate	6	17.4.01	CJW 83/23
	SBG	ID Plate Text	7	7.8.01	Issue No
					7
					Sheet No
					1 Of 1
					Date
					7.8.01