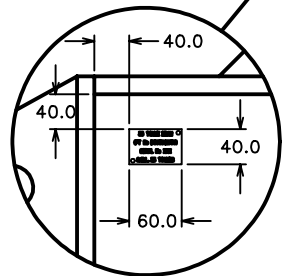
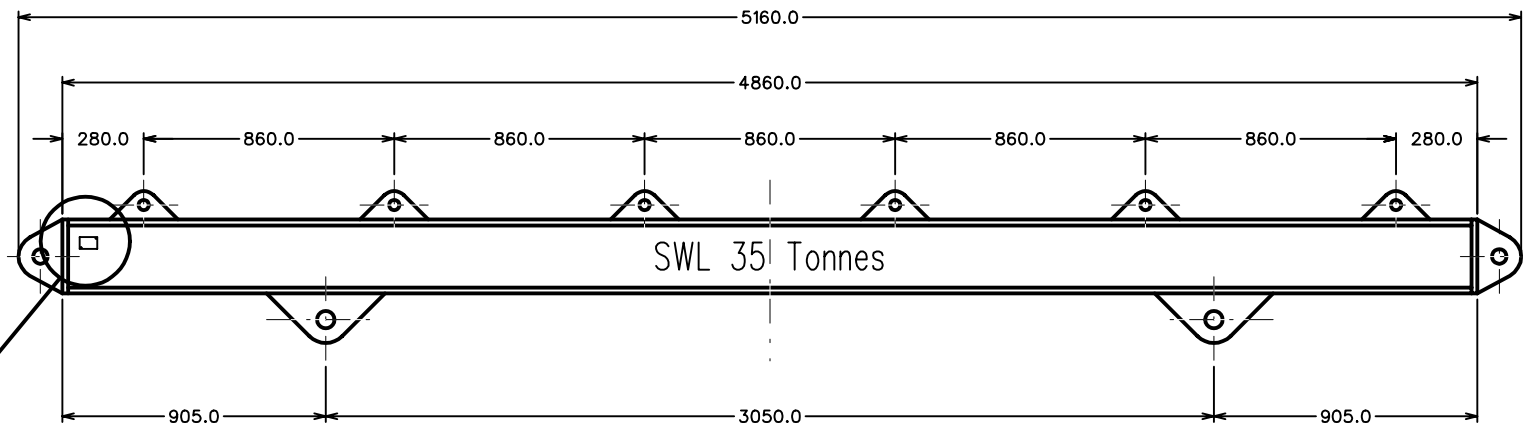
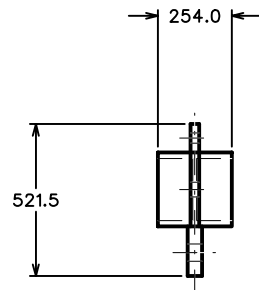
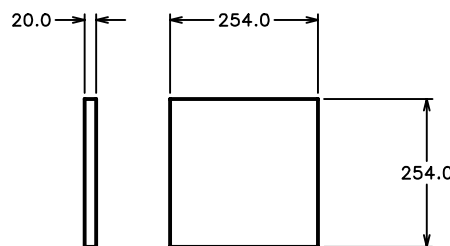


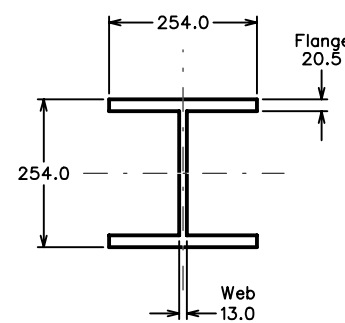
If In Doubt ASK !



I.D. Plate Detail

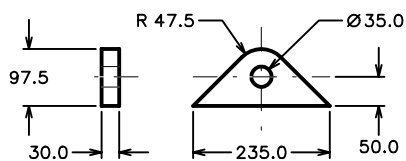


End Plate Detail

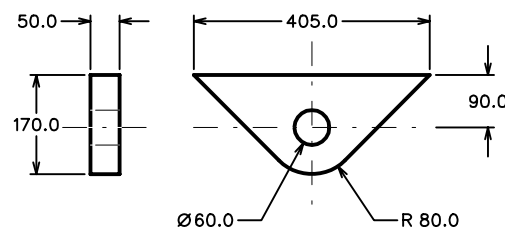


Beam Detail

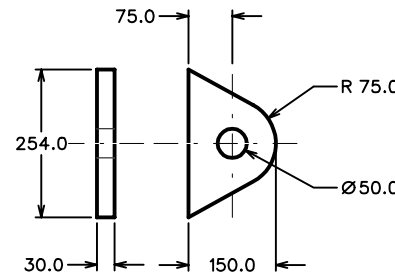
Construction Notes	
Material :- 254x254MMx107KgM Universal Column To BS EN10025 Grade FE430A	
Lugs And End Plate : Grade FE50B	
Tolerance:- ± 1mm	
Surface Finish:- Galvanised	
All Edges To Be Deburred	
All Lugs And End Plates Welded All Round	
ID Plate Rivetted To Beam	
ID Plate Material:- Stainless Steel	
ID Text Dims:- Height 4mm, Width 3mm	
SWL Text Stenciled And Spray Painted	
SWL Text Dims:- Height 94mm, Width 64mm	



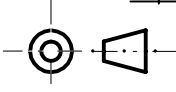
Top Lug Detail



Bottom Lug Detail



End Lug Detail



File Name
BEAM35T.DGN

Tolerance	Material
+/- 1mm	See Note

© SCHOLLE EUROPE LIMITED 1/a Crestbury and J.W. Automarine 1972-2003. This article and drawing is protected by copyright and is the property of Scholle Europe Limited. It may not be copied, published, or used for any purpose other than that for which it has been supplied, except with the written permission of Scholle Europe Limited.

SCHOLLE EUROPE LTD.

 Enterprise Way
 Fakenham, Norfolk, NR21 8SN, England
 Telephone: Fakenham 01328 852300
 Fax: Fakenham 01328 854222
 Email: sales@jwautomarine.co.uk

Drawn	Sig	Revisions	Issue	Date
AJD	AJD	Drawn	1	31.8.95
	AJD	Redesigned	2	9.10.98
	SBG	Material Note	3	5.4.00
	SBG	ID Plate	4	28.5.01
	SBG	ID Plate Text	5	11.6.01

Client	
JW Automarine	
Drawing No	CJW 95/100
Issue No	5
Sheet No	1 Of 1
Date	11.6.01

Title
35 Tonne Lifting Beam (D0606512606)