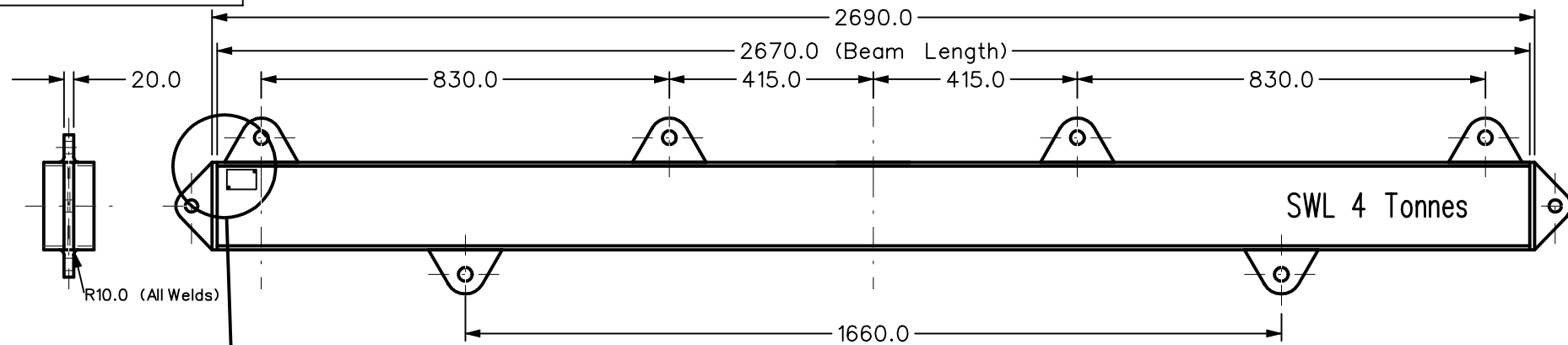
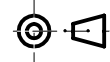
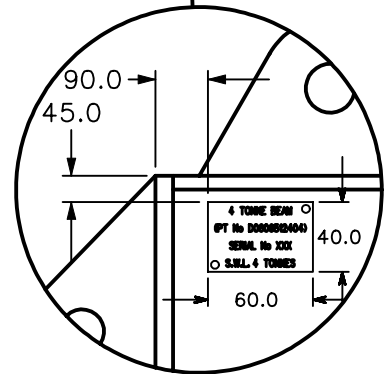


If In Doubt ASK !

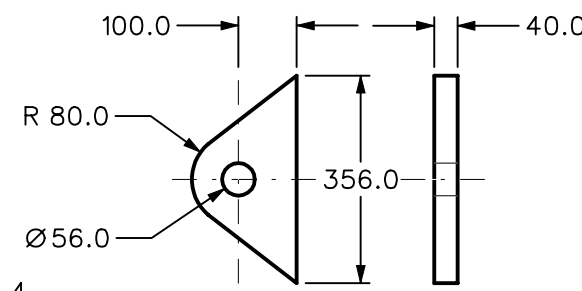


T4 Lifting Beam (4000 Kg)

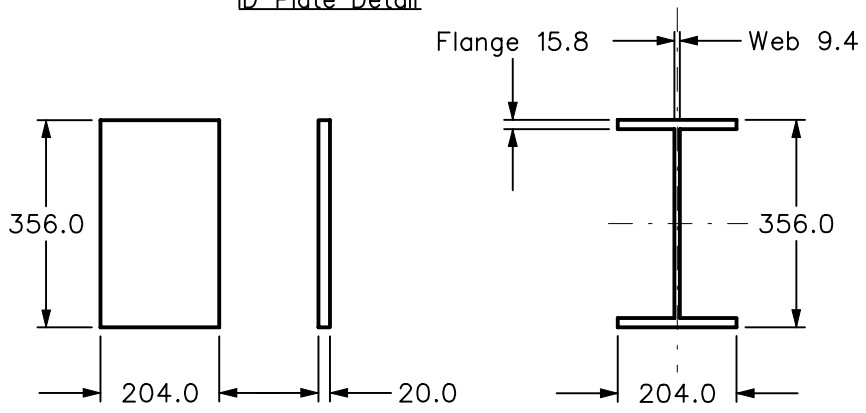
Construction Notes	
Material:- 178x102MM x 19KgM Universal Beam To BS EN10025:1993-5275 Grade FE430A Lugs And End Plate : Grade FE50B	
Tolerance:- ± 1 mm	
Surface Finish:- Galvanised	
All Edges To Be Deburred	
All Lugs And End Plates Welded All Round	
ID Plate Rivetted To Beam	
ID Plate Material:- Stainless Steel	
ID Text Dims: - Height 4mm, Width 3mm	
SWL Text Stenciled And Spray Painted	
SWL Text Dims: - Height 47mm, Width 32mm	



ID Plate Detail

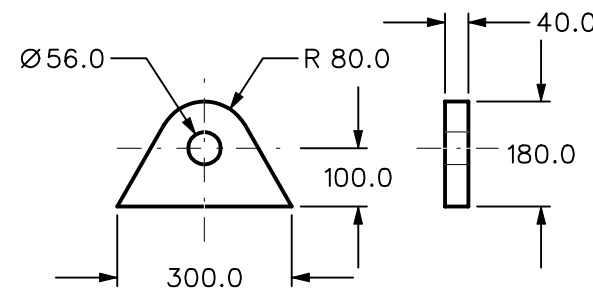


End Detail



End Plate Detail

Beam Detail



Lug Detail  
(For Top And Bottom Lugs)

Dimensions In MM				File Name			
Tolerance				BEAM4T.DGN			
See Note				Material			
See Note				See Note			
<small>© SCHOLLE EUROPE LIMITED s/a Crestbury and J.W. Automarine 1972-2003. This article and drawing is protected by copyright and is the property of Scholle Europe Limited. It may not be copied, published, or used for any purpose other than that for which it has been supplied, except with the written permission of Scholle Europe Limited.</small>				<b>SCHOLLE EUROPE LTD.</b> t/a <b>Automarine</b> 			
						Entered: Tee Way Fakenham, Norfolk, NR21 6SN, England Telephone: Fakenham 01328 852300 Fax: Fakenham 01328 864222 Email: sales@jwautomarine.co.uk	
						Client	
						JW Automarine	
Drawn	Sig	Revisions	Issue	Date	Drawing No		
SBG		Drawn	1	28.5.03	CJW 03/070		
Scale					Issue No		
1:5					1		
On A1					Sheet No		
Checked					1 Of 1		
					Date		
					28.5.03		
Title							
4 Tonne Beam (Pt No. D0606512404)							