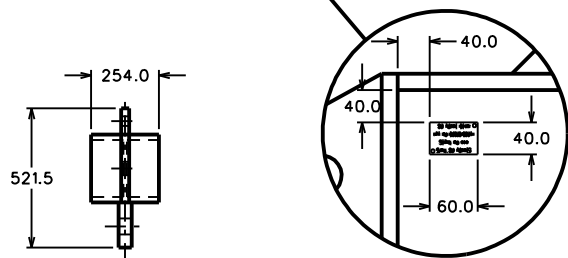
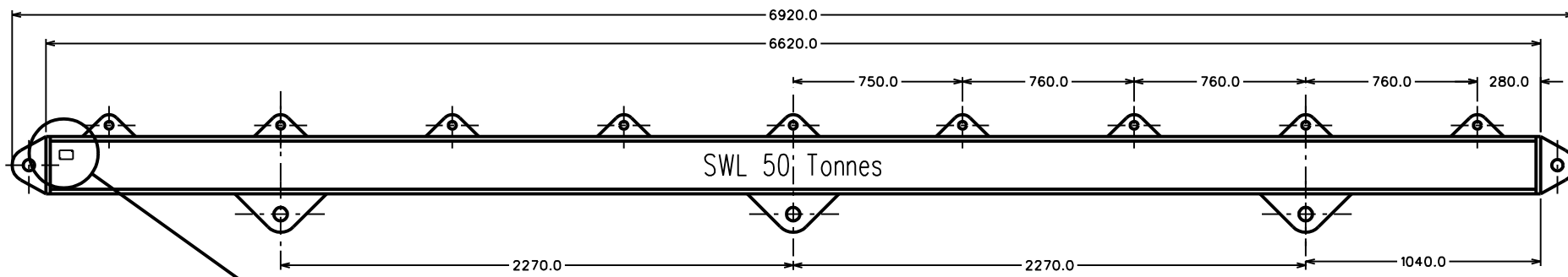
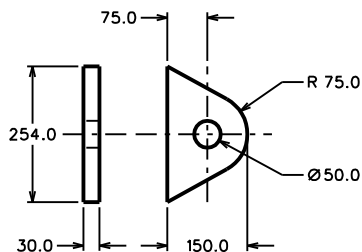


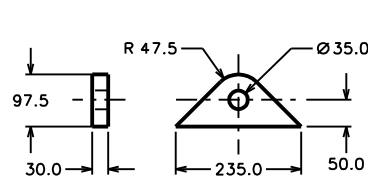
If In Doubt ASK !



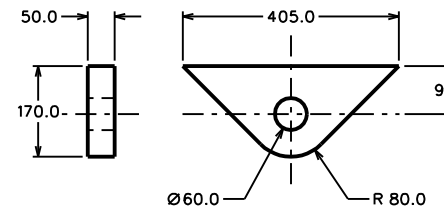
I.D. Plate Detail



End Lug Detail

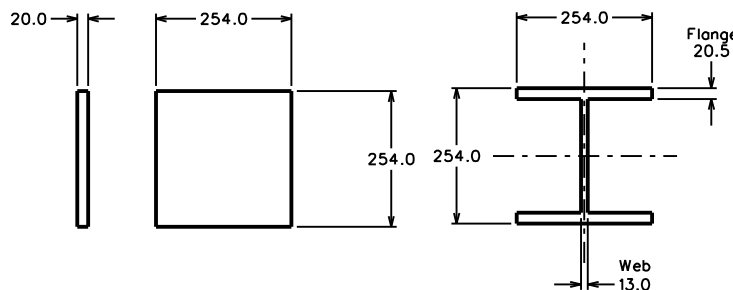


Top Lug Detail



Bottom Lug Detail

Construction Notes	
Material :- 254x254MMx107KgM Universal Column To BS EN10025 Grade FE430A	
Lugs And End Plate : Grade FE50B	
Tolerance:- ± 1mm	
Surface Finish:- Galvanised	
All Edges To Be Deburred	
All Lugs And End Plates Welded All Round	
ID Plate Rivetted To Beam	
ID Plate Material:- Stainless Steel	
ID Text Dims: - Height 4mm, Width 3mm	
SWL Text Stenciled And Spray Painted	
SWL Text Dims: - Height 94mm, Width 64mm	



End Plate Detail

Beam Detail

<p>Dimensions in MM Tolerance ± 1mm</p> <p>© SCHOLLE EUROPE LIMITED t/a J.W. Automarine 1972-2008. This article and drawing is protected by copyright and is the property of Scholle Europe Limited. It may not be copied, published, or used for any purpose other than that for which it has been supplied, except with the written permission of Scholle Europe Limited.</p>				<p>BAAN No.</p> <p>File Name CJW08019.DGN</p> <p>Material See Note</p> <p>SCHOLLE EUROPE LTD. t/a automarine</p> <p>Enterprize Way Fakenham, Norfolk, NR21 8SN, England Telephone: Fakenham 01328 852300 Fakenham 01328 852222 Email: sales@jwautomarine.co.uk</p>	
<p>Drawn SBC</p> <p>Scale 1:10</p> <p>On A1</p> <p>Checked</p>	<p>Revisions 1</p> <p>Issue 1</p> <p>Date 29.7.08</p>	<p>Client JW Automarine</p> <p>Drawing No CJW 08/019</p> <p>Issue No 1</p> <p>Sheet No 1 of 1</p> <p>Date 29.7.08</p>			
<p>Title 50 Tonne Lifting Beam D0606512607</p>					