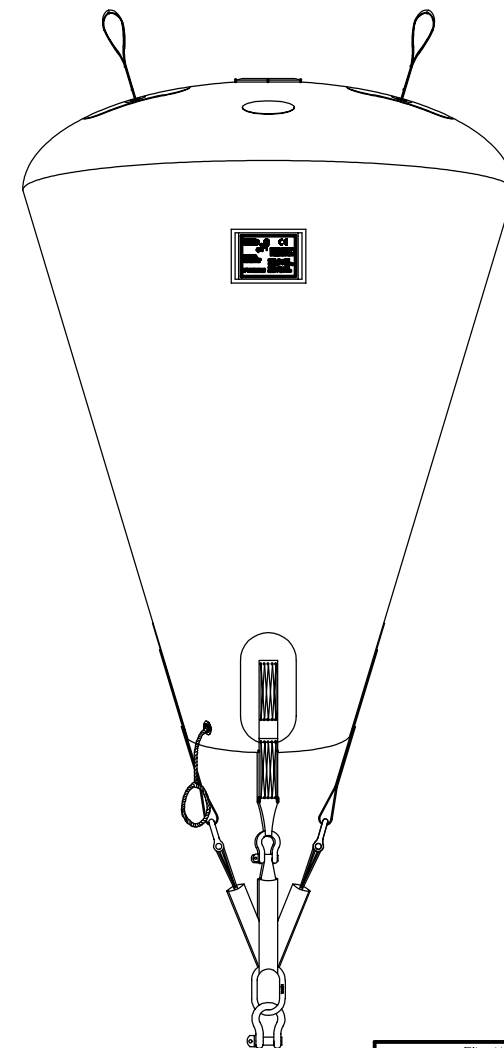
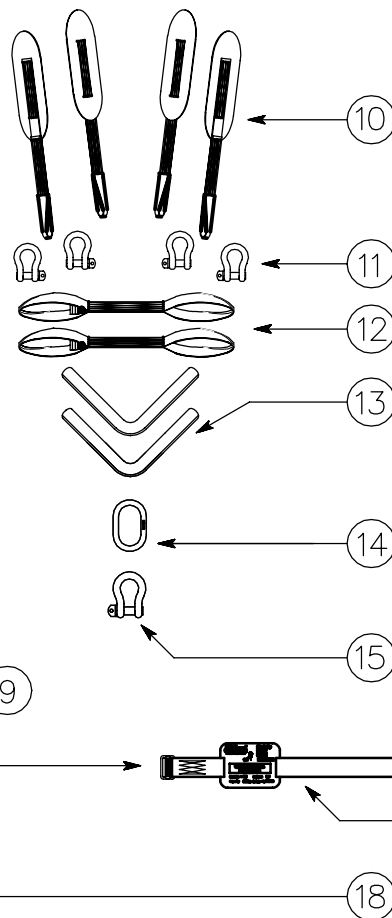
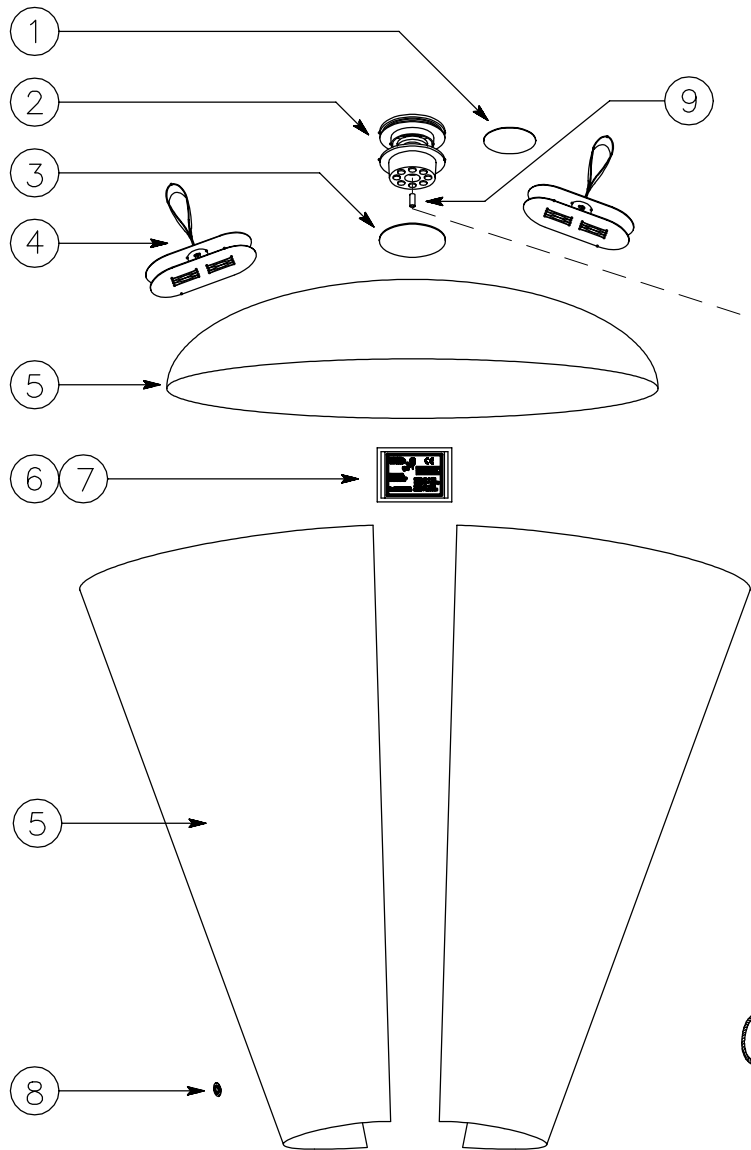


If In Doubt ASK !

|                  |        |
|------------------|--------|
| Overall Height   | 2380mm |
| Overall Diameter | 1300mm |
| Lift Capacity    | 1000Kg |

| Item No | Part No     | Qty  | Description            | Remarks      |
|---------|-------------|------|------------------------|--------------|
| 1       | E0108031600 | 1    | Patch 3/4inlet         |              |
| 2       | D043300000  | 1    | Large Dump Valve       |              |
| 3       | E0108031800 | 1    | Dump Valve Patch       | 7"           |
| 4       | E0108031500 | 2    | Anchor Tab             | Major        |
| 5       | D0108039999 | -    | Bag Material           | 3 X 3        |
| 6       | E0102030818 | 1    | JW Label               | Blue PVC     |
| 7       | E0160175800 | 1    | Label Cover            | Clear PVC    |
| 8       | D0500590400 | 1    | Eyelet                 | 15/37 Inch   |
| 9       | D0500539012 | 2    | Crimped Copper Ferrule | 6.5mm        |
| 10      | E0202701700 | 4    | Side Strap             |              |
| 11      | D0601510180 | 4    | 2.0 Tonne Shackle      |              |
| 12      | E0202700110 | 2    | Bottom Strap           |              |
| 13      | E0104031201 | 2    | Medium Sleeve          | 2 X 2        |
| 14      | D0602510600 | 1    | 4.0 T Link             |              |
| 15      | D0601510200 | 1    | 4.75 T Shackle         |              |
| 16      | E0202709000 | 1    | Tie Strap              | Major Medium |
| 17      | E0102036005 | 1    | Major Tie Strap Label  | Blue PVC     |
| 18      | D0311700001 | 3.25 | 6mm Rope               |              |



| Tolerance  |     |                          |       |         | Material  |  |
|--|-----|--------------------------|-------|---------|---|--|
| N/A  |     |                          |       |         | N/A   |  |
| © SCHOLLE EUROPE LIMITED t/a Crestbury and J.W. Automarine 1972-2002. This article and drawing is protected by copyright and is the property of Scholle Europe Limited. It may not be copied, published, or used for any purpose other than that for which it has been supplied, except with the written permission of Scholle Europe Limited. |     |                          |       |         | <b>SCHOLLE EUROPE LTD.</b><br>T/A<br><b>Automarine</b><br>Enterprise Way<br>Fakenham, Norfolk, NR21 8SN, England<br>Telephone: Fakenham (01329) 852300<br>Fax: Fakenham (01329) 864222<br>Email: sales@jwautomarine.co.uk |  |
| Drawn  | Sig | Revisions                | Issue | Date    | Client  |  |
|  |     | Redrawn                  | 3     | 9.11.89 | JW AUTOMARINE   |  |
|  |     | Material Change          | 4     | 7.11.90 |   |  |
|  |     | Lifting Straps           | 5     | 22.2.94 | Drawing No: CJW 83/36 Issue No: 7   |  |
|  |     | 1:8 SBG Dims Box         | 6     | 28.4.99 |   |  |
|  |     | On A1 SBG Copper Ferrule | 7     | 18.4.02 | Sheet No: 1 OF 1 Date: 18.4.02  |  |
| Checked  |     |                          |       |         |   |  |

Nato Stock No.  
4220-99-774-4264

Title  
PR1