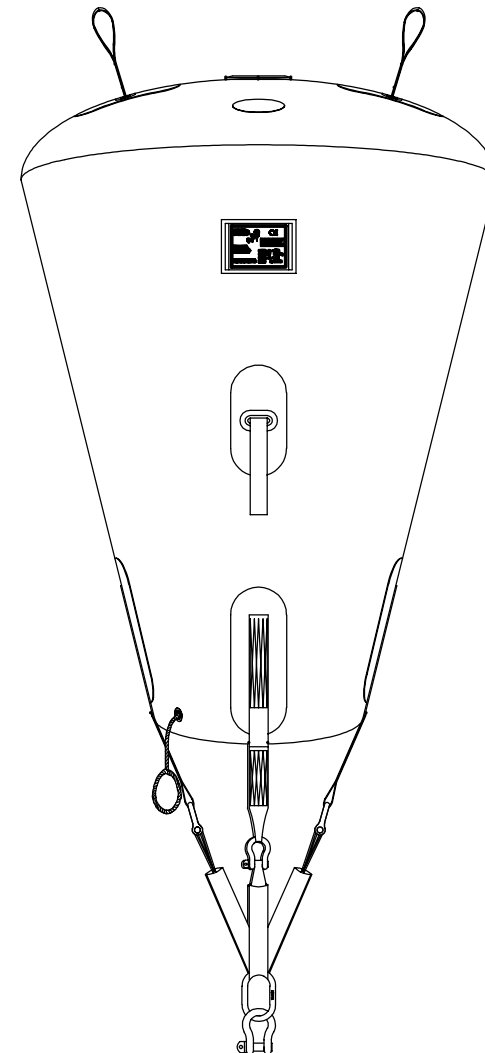
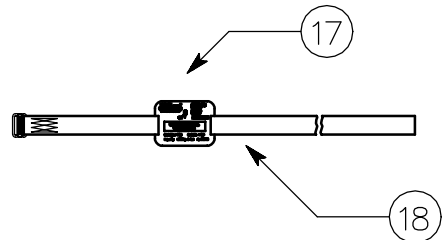
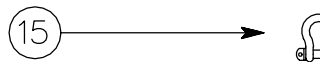
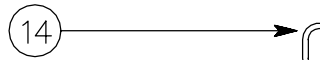
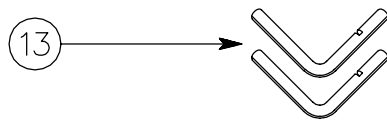
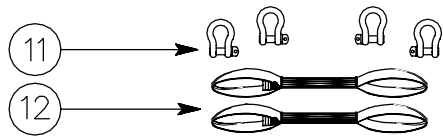
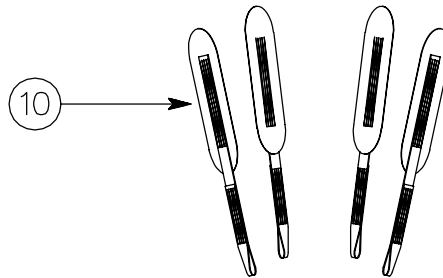
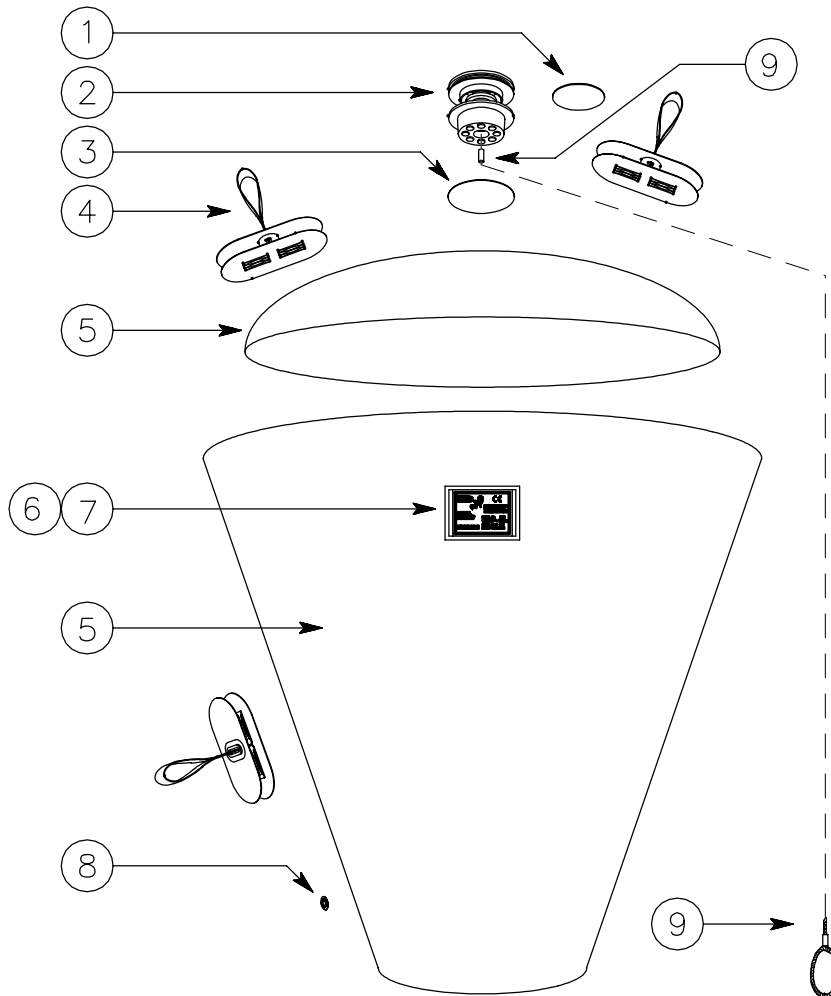


If In Doubt ASK !



Item No	Part No	Qty	Description	Remarks
1	E0108031600	1	Patch Inlet	
2	D0433000000	1	Large Dump Valve	
3	E0108031800	1	Dump Valve Patch	7"
4	E0108031500	3	Anchor Tab	Major
5	D0108039999	-	Lid	3 x 3 Yellow PVC
6	E0102030818	1	JW Label	Blue PVC
7	E0160175800	1	Label Cover	Clear PVC
8	D0500590400	1	Eyelet	15/35 Inch
9	D0500539012	2	Crimped Copper Ferrule	6.5mm
10	E0202701700	4	Side Strap	
11	D0601510180	4	2.0 T Shackle	
12	E0202700110	2	Bottom Strap	
13	E0104031201	2	Medium Sleeve	2 x 2
14	D0602510600	1	4.0 T Link	
15	D0601510200	1	4.75 T Shackle	
16	D0311700001	4.75	6mm Rope	
17	E0202709000	1	Tie Strap	Major Medium
18	E0102036005	1	Major Tie Strap Info Label	Blue PVC

Overall Height	3020mm
Overall Diameter	1400mm
Lift Capacity	2000Kg

Dimensions In MM					File Name	
Tolerance					PR2.DGN	
N/A					Material	
N/A					P.V.C.	
<small>© SCHOLLE EUROPE LIMITED t/a Crestbury and J.W. Automarine 1972-2002 .This article and drawing is protected by copyright and is the property of Scholle Europe Limited.it may not be copied, published, or used for any purpose other than that for which it has been supplied, except with the written permission of Scholle Europe Limited.</small>					<b>SCHOLLE EUROPE LTD.</b> <small>1/A</small> 	
<small>Enterprise Way Fakenham,Norfolk,NR21 8SN,England Telephone:Fakenham(01328)852300 Fax:Fakenham(01328)864222 Email:sales@jwautomarine.co.uk</small>					<small>Client</small> <b>JW Automarine</b>	
Drawn	Sig	Revisions	Issue	Date	Drawing No	CJW 83/15
		Updated	3	12.1.90	Issue No	6
		Material Ch	4	3.12.90	Sheet No	1 Of 1
		Scale	Straps	5	Date	15.4.02
		N.T.S.	Copper Ferrule	6		

SBG

Title  
PR2 (2000 Kg)