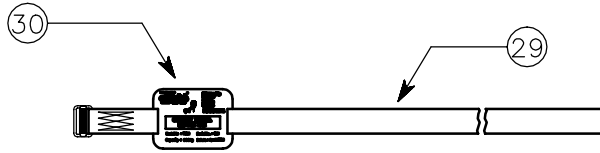
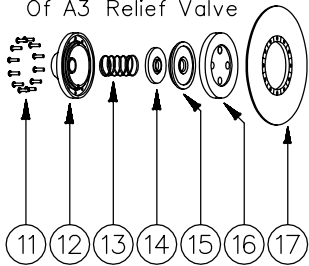


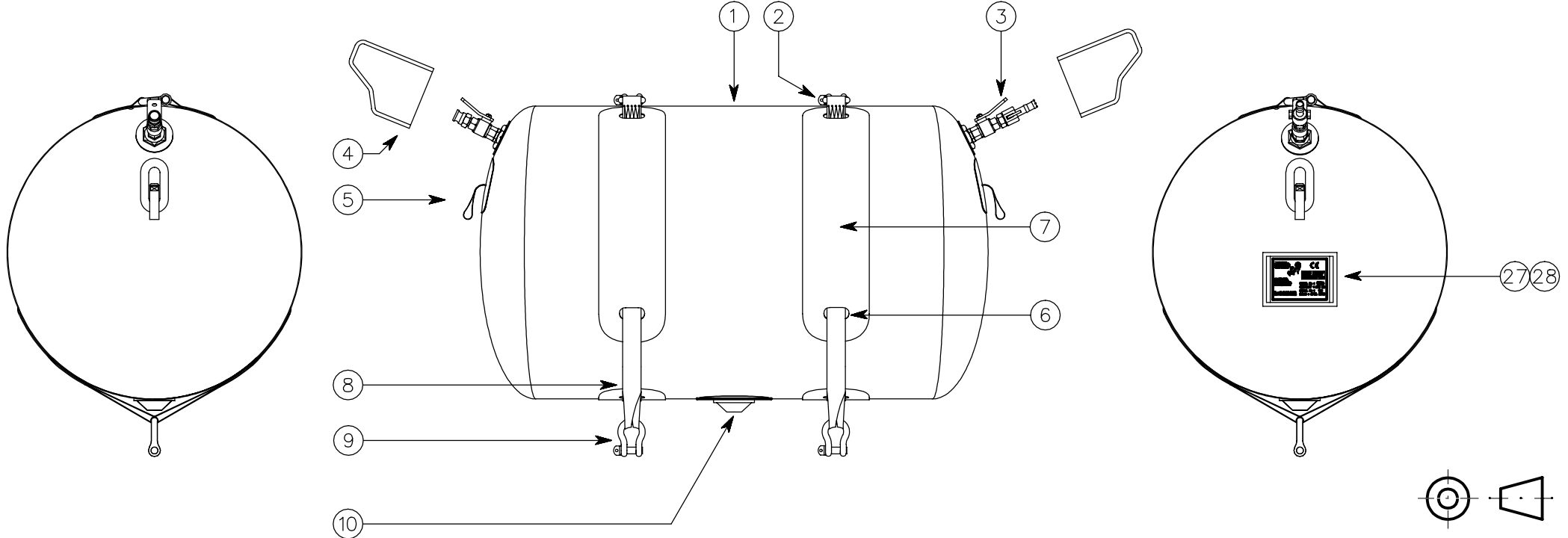
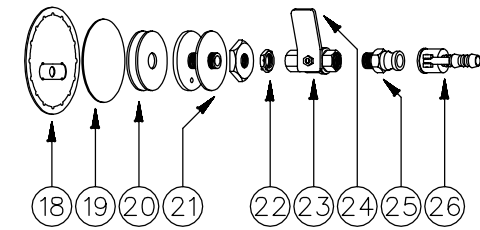
If In Doubt ASK !

Overall Length	1380mm
Overall Diameter	850mm
Overall Height	940mm
Lift Capacity	500Kg

Exploded ISO View
Of A3 Relief Valve



Exploded ISO View Of Inlet Valve



Item No	Part No	Qty	Description	Remarks	Item No	Part No	Qty	Description	Remarks
1	D0104029999	N/A	2 x 2 Yellow P.V.C. Material		16	D0407683300	1	Anchor Plate	
2	D0601510180	2	2.0 Ton Shackle		17	D0407598600	1	Weldable Flange	
3	N/A	2	Ball Valve Assembly	See Items 18 - 26	18	E0108039000	2	Internal Valve Cover	
4	E0108038800	2	External Valve Cover		19	E0108031600	2	3/4 Inlet Patch	
5	E0104038900	2	Minor Anchor Tab		20	E0413633000	4	3/4 Inlet Gasket	
6	E0108033402	12	85mm Dia Patch		21	D0413560000	2	3/4 Brass Inlet	3/4 B.S.P. Thread
7	F434	4	Automarine Screen Print		22	D0413562900	2	3/4 Brass Nut	3/4 B.S.P. Thread
8	E0202705015	2	Side Strap	50mm Thin Webbing	23	D0440451310	2	3/4 Ball Valve	3/4 B.S.P. Thread
9	D0601510100	2	3.25 Ton Shackle		24	D0440531311	2	Stainless Steel Handle	
10	N/A	1	A3 Relief Valve	See Items 11-17	25	D0416551230	2	3/4 Brass Male Coupling	3/4 B.S.P. Thread
11	D0407563700	1	Screw Set		26	D0416551240	1	Brass Hose Tail	
12	D0407683100	1	Black Housing		27	E0102030816	1	JW Label	Blue P.V.C.
13	D0407523900	1	2 PSI Spring		28	E0160175800	1	Label Cover	Clear P.V.C.
14	D0407683200	1	Pressure Plate		29	E0202709600	1	Major Small Tie Strap	
15	D0407643500	1	Internal Diaphragm		30	E0102036005	1	Tie Strap Label	Blue P.V.C.

Tolerance			
N/A			
© SCHOLLE EUROPE LIMITED t/a Crestbury and J.W. Automarine 1972-2003. This article and drawing is protected by copyright and is the property of Scholle Europe Limited. It may not be copied, published, or used for any purpose other than that for which it has been supplied, except with the written permission of Scholle Europe Limited.			

File Name
T10C.DGN

Material
N/A

SCHOLLE EUROPE LTD.
t/a
automarine

Enterprise Way
Fakenham, Norfolk, NR21 8SN, England
Telephone: Fakenham (01328) 852300
Fax: Fakenham (01328) 864222
Email: sales@jwautomarine.co.uk

Drawn	Sig	Revisions	Issue	Date
<i>[Signature]</i>		Drawn	1	1.6.82
		Updated	2	14.6.94
		Panel Added	3	16.11.95
		SBG Dims Box	4	2.5.01
		SBG Tie Strap Label	5	25.11.02

Client			
JW Automarine			
Drawing No	CJW 82/22	Issue No	5
Sheet No	1 of 1	Date	25.11.02

Title
T10C (500 Kg)